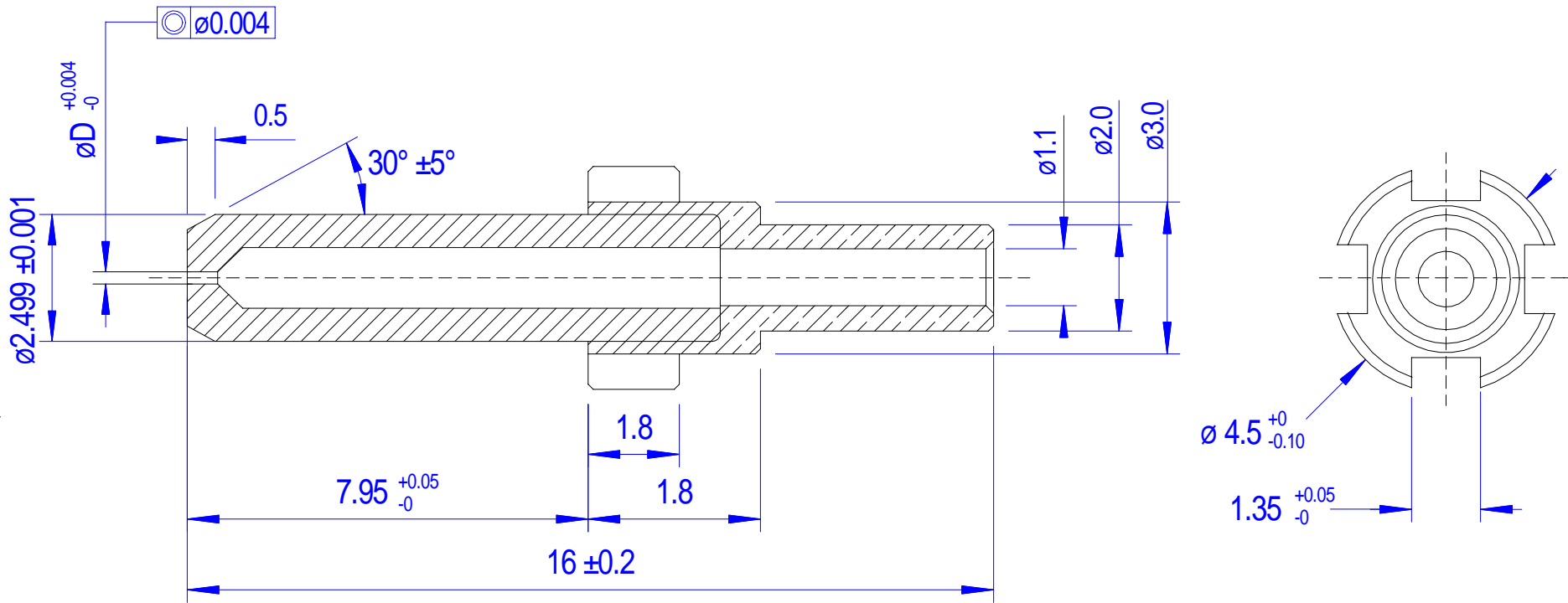


ID Size:	Part Number:
0.126 mm	FASS-SC-126
0.127 mm	FASS-SC-127
0.230 mm	FASS-SC-230



THIS DRAWING OR SPECIFICATION IS CONFIDENTIAL AND PROPRIETARY TO KIENTEC SYSTEMS, INC. AND MAY NOT BE REPRODUCED, OR DISCLOSED TO OTHERS WITHOUT THE WRITTEN CONSENT OF KIENTEC SYSTEMS, INC.

Kientec Systems, Inc.
Stuart, FL 34994

SC MM FERRULE ASSEMBLY

DIMENSIONS ARE IN MILLIMETERS
.XX ± 0.10

SIZE	DRAWN BY: C.A.K	DWG NO. FASS-SC-XXX	REV
	DATE: 7/1/09		
SCALE		SHEET	1 of 1

Notes:
1. Free of oils & residues

Ferrule Material: **Stainless Steel Alloy**
Flange Material: **Nickel Plated Brass**