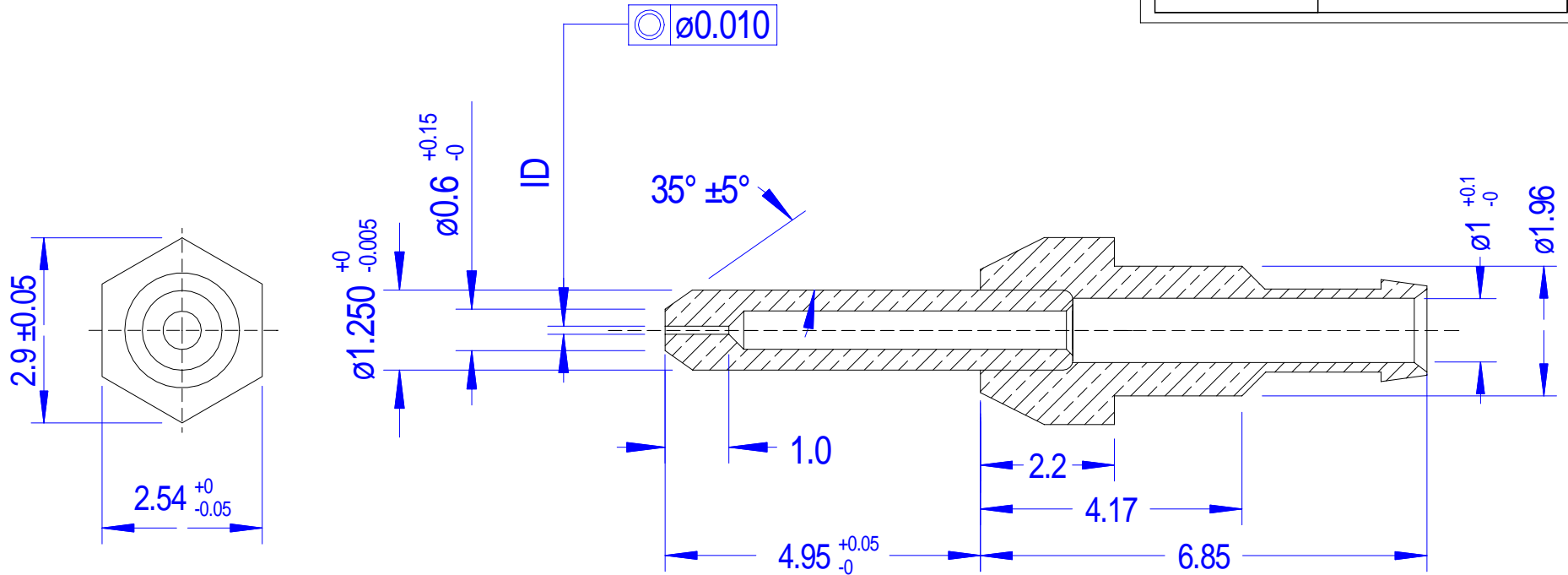


ID Size:	Part Number:
0.126 mm	FAZI-LC-126
0.127 mm	FAZI-LC-127
0.230 mm	FAZI-LC-230



Notes:
1. Free of oils & residues

THIS DRAWING OR SPECIFICATION IS CONFIDENTIAL AND PROPRIETARY TO KIENTEC SYSTEMS, INC. AND MAY NOT BE REPRODUCED, OR DISCLOSED TO OTHERS WITHOUT THE WRITTEN CONSENT OF KIENTEC SYSTEMS, INC.

DIMENSIONS ARE IN MILLIMETERS
.XX ± 0.10

Ferrule Material: **Stainless Steel**

Flange Material: **Nickel Plated Brass**

Kientec Systems, Inc.
Stuart, FL 34994

LC MM FERRULE ASSEMBLY

SIZE	DRAWN BY: C.A.K	DWG NO.	FASS-LC-XXX	REV
	DATE: 7/1/09			
SCALE	10:1	SHEET	1 of 1	