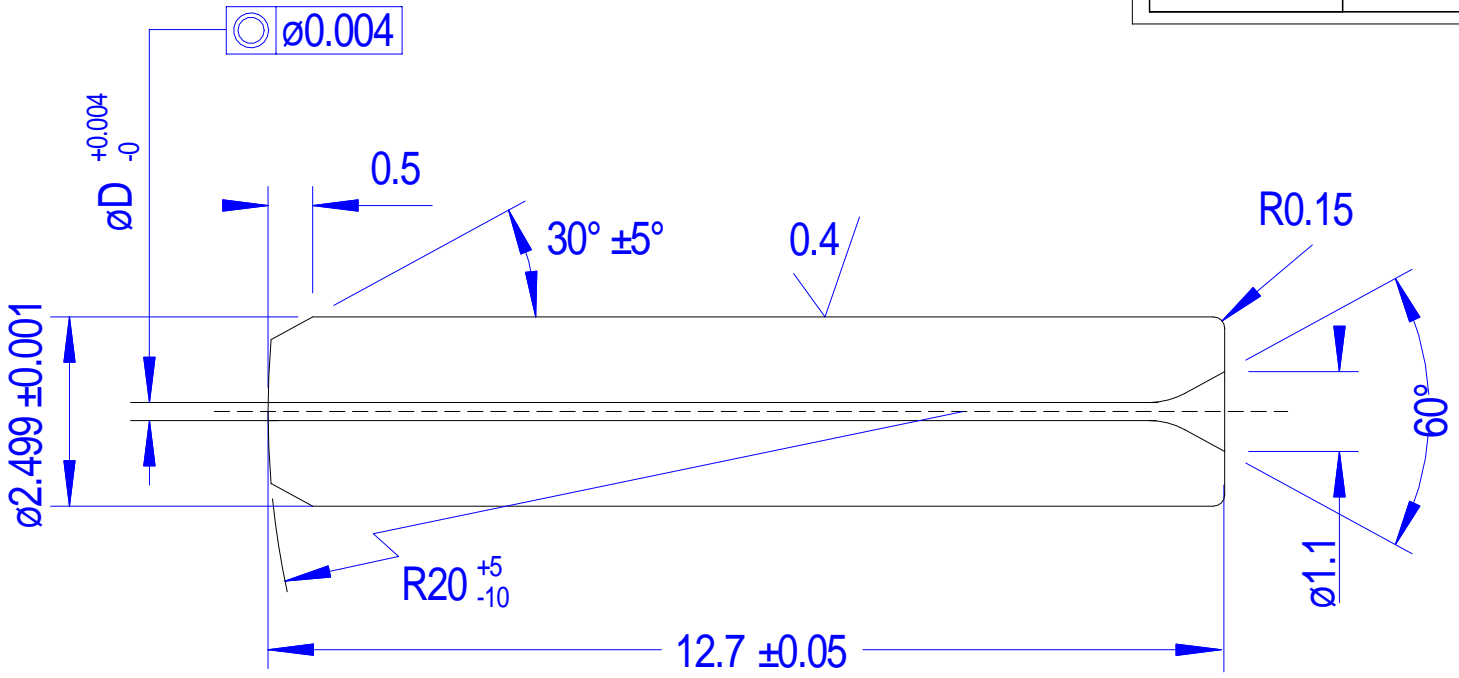


ID Size:	Part Number:
0.126 mm	FZI-ST-PC-126
0.127 mm	FZI-ST-PC-127
0.144 mm	FZI-ST-PC-144



Notes:
1. Free of oils & residues

THIS DRAWING OR SPECIFICATION IS CONFIDENTIAL AND PROPRIETARY TO KIENTEC SYSTEMS, INC. AND MAY NOT BE REPRODUCED, OR DISCLOSED TO OTHERS WITHOUT THE WRITTEN CONSENT OF KIENTEC SYSTEMS, INC.	
DIMENSIONS ARE IN MILLIMETERS .XX ±0.10	
MATERIAL:	Zirconia (ZrO2)
FINISH:	

Kientec Systems, Inc. Stuart, FL 34994			
ST-PC MM FERRULE			
SIZE	DRAWN BY: DATE:	C.A.K 7/1/09	DWG NO. FZI-ST-PC-XXX
SCALE 10:1	SHEET 1 of 1		REV