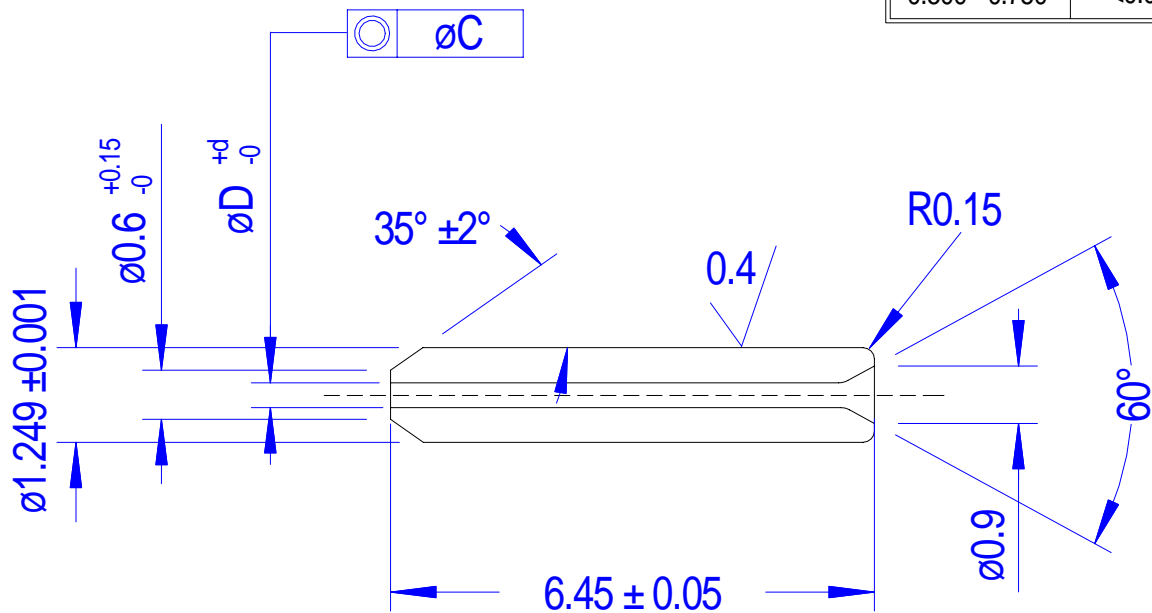


ID (øD)	Tolerance (d)	Concentricity (C)
0.140 - 0.200	<0.005	<0.005
0.200 - 0.300	<0.005	<0.010
0.300 - 0.500	<0.010	<0.020
0.500 - 0.750	<0.015	<0.030



THIS DRAWING OR SPECIFICATION IS CONFIDENTIAL AND PROPRIETARY TO KIENTEC SYSTEMS, INC. AND MAY NOT BE REPRODUCED, OR DISCLOSED TO OTHERS WITHOUT THE WRITTEN CONSENT OF KIENTEC SYSTEMS, INC.

DIMENSIONS ARE IN MILLIMETERS
.XX ±0.10

MATERIAL: Zirconia (ZrO2)

FINISH:

Kientec Systems, Inc.
Stuart, FL 34994

LC FERRULE

SIZE	DRAWN BY: C.A.K	DWG NO. FZI-LC-XXX	REV
	DATE: 7/1/09		
SCALE 10:1	SHEET 1 of 1		

Notes:
1. Free of oils & residues