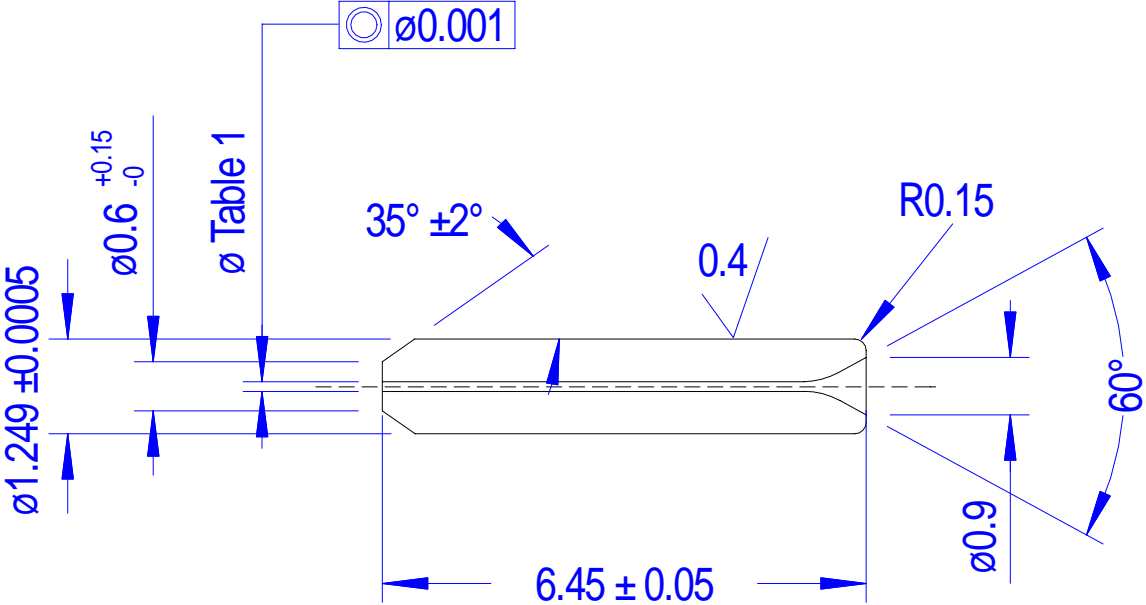


Table 1 - Inside Diameter

Part Number	I.D.	Min	Max
FZI-LC-0800	0.0800	0.0810	0.0830
FZI-LC-1250	0.1250	0.1253	0.1263
FZI-LC-1255	0.1255	0.1255	0.1265
FZI-LC-1260	0.1260	0.1260	0.1270



THIS DRAWING OR SPECIFICATION IS CONFIDENTIAL AND PROPRIETARY TO KIENTEC SYSTEMS, INC. AND MAY NOT BE REPRODUCED, OR DISCLOSED TO OTHERS WITHOUT THE WRITTEN CONSENT OF KIENTEC SYSTEMS, INC.

Kientec Systems, Inc.
Stuart, FL 34994

LC SM FERRULE

DIMENSIONS ARE IN MILLIMETERS
.XX ±0.10

SIZE	DRAWN BY: C.A.K	DWG NO. FZI-LC-XXXX	REV
	DATE: 7/1/09		
SCALE 10:1	SHEET 1 of 1		

Notes:
1. Free of oils & residues

MATERIAL: Zirconia (ZrO2)
FINISH: