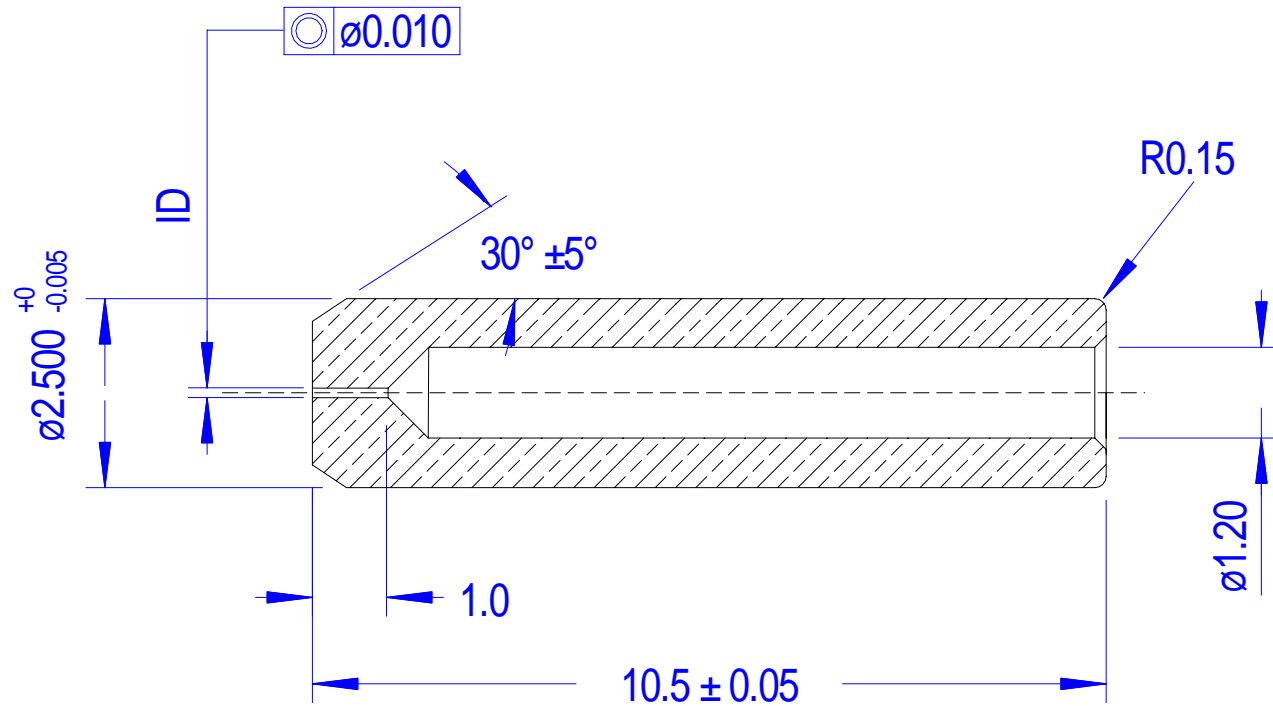


Table 1 - Inside Diameter

Part Number	I.D.	Min	Max
FSS-SC-126	0.126	0.126	0.130
FSS-SC-127	0.127	0.127	0.132
FSS-SC-144	0.144	0.144	0.149
FSS-SC-230	0.230	0.230	0.235



THIS DRAWING OR SPECIFICATION IS CONFIDENTIAL AND PROPRIETARY TO KIENTEC SYSTEMS, INC. AND MAY NOT BE REPRODUCED, OR DISCLOSED TO OTHERS WITHOUT THE WRITTEN CONSENT OF KIENTEC SYSTEMS, INC.

**Kientec Systems, Inc.**  
Stuart, FL 34994

**STAINLESS STEEL SC FERRULE**

DIMENSIONS ARE IN MILLIMETERS  
.XX ±0.10

SIZE	DRAWN BY: C.A.K	DWG NO. FSS-SC-XXX	REV 1
	DATE: 10/24/16		
SCALE 10:1	SHEET 1 of 1		

MATERIAL: **Stainless Steel 303**

FINISH:

Notes:  
1. Free of oils & residues