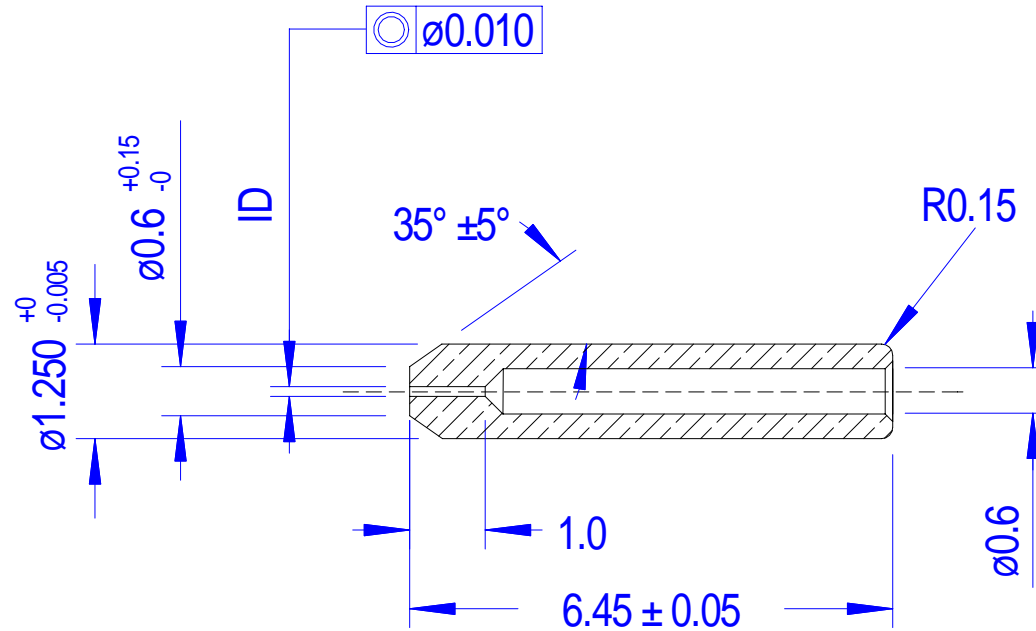


Table 1 - Inside Diameter

Part Number	I.D.	Min	Max
FSS-LC-126	0.126	0.126	0.130
FSS-LC-127	0.127	0.127	0.132
FSS-LC-144	0.144	0.144	0.149
FSS-LC-230	0.230	0.230	0.235



THIS DRAWING OR SPECIFICATION IS CONFIDENTIAL AND PROPRIETARY TO KIENTEC SYSTEMS, INC. AND MAY NOT BE REPRODUCED, OR DISCLOSED TO OTHERS WITHOUT THE WRITTEN CONSENT OF KIENTEC SYSTEMS, INC.

**Kientec Systems, Inc.**  
Stuart, FL 34994

**STAINLESS STEEL LC FERRULE**

DIMENSIONS ARE IN MILLIMETERS

.XX  $\pm 0.10$

MATERIAL: **Stainless Steel 303**

FINISH:

SIZE	DRAWN BY: <b>C.A.K</b>	DWG NO. <b>FSS-LC-XXX</b>	REV <b>1</b>
	DATE: <b>10/24/16</b>		
SCALE <b>10:1</b>	SHEET <b>1 of 1</b>		

Notes:  
1. Free of oils & residues